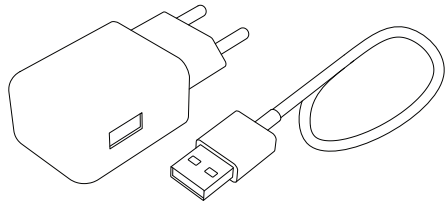


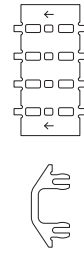
NIXIE

CLOCK

LIST OF COMPONENTS



1x Adapter + Cabel



2x Sidewall



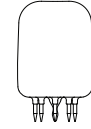
2x Wall Mount



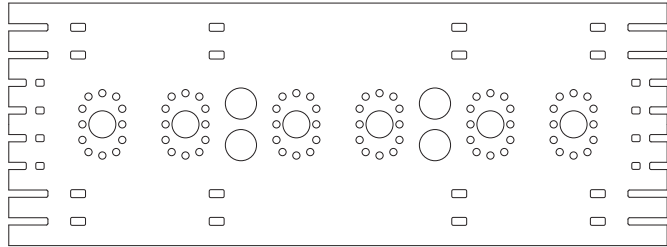
2x Side Cover



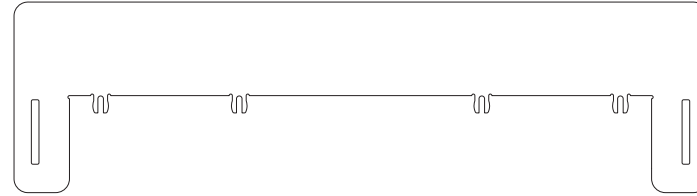
8x Small Rib



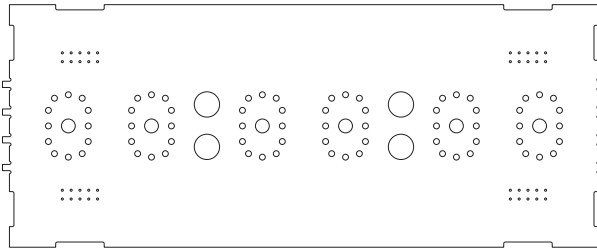
6x Nixie Tube



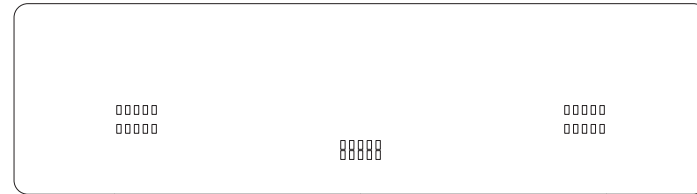
1x Front Mask



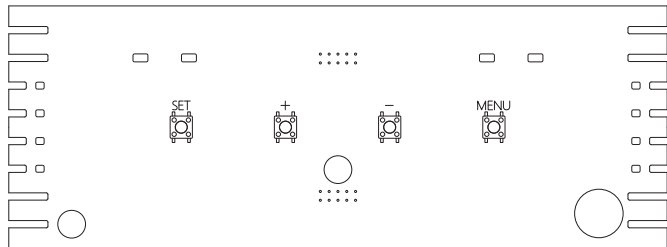
4x Large Rib



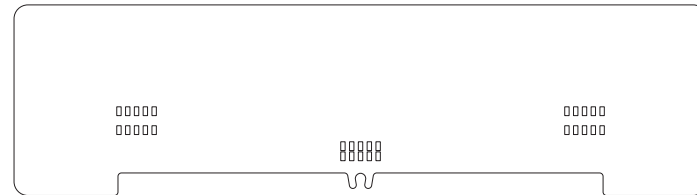
1x Main Board



1x Top Board



1x Back Board



1x Bottom Board

NIXIE CLOCK

A Nixie tube (also called digitron) is a glass tube which contains a wire-mesh anode and multiple cathodes shaped like numbers.

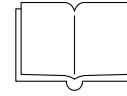
The tube is filled with a gas, usually neon. Connecting cathode to electric voltage ignites an electric discharge which will surround the number with orange glow.

Nixies experienced the biggest boom in the 1960s. Today, the use of this technology is a rarity. It was replaced by fluorescent displays and later on by light emitting diodes.

Although the use of digitrons is now quite rare it is without questions the most beautiful type of display. Digitrons themselves are very rare.

#NOYCEJOYCE

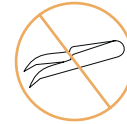
We are happy that this thechnology can bring you joy. Share with us photos of the Nixie Clock in your home and don't forget to tag #noycejoyce.



Follow the assembly instructions thoroughly.



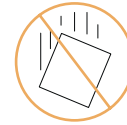
Assemble carefully, some components are fragile.



Do not use metal objects such as tweezers, etc. to assemble.



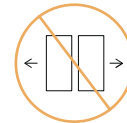
Avoid contact with water.



Prevent both individual parts and the assembled clock from falling.



Keep out of reach of children.

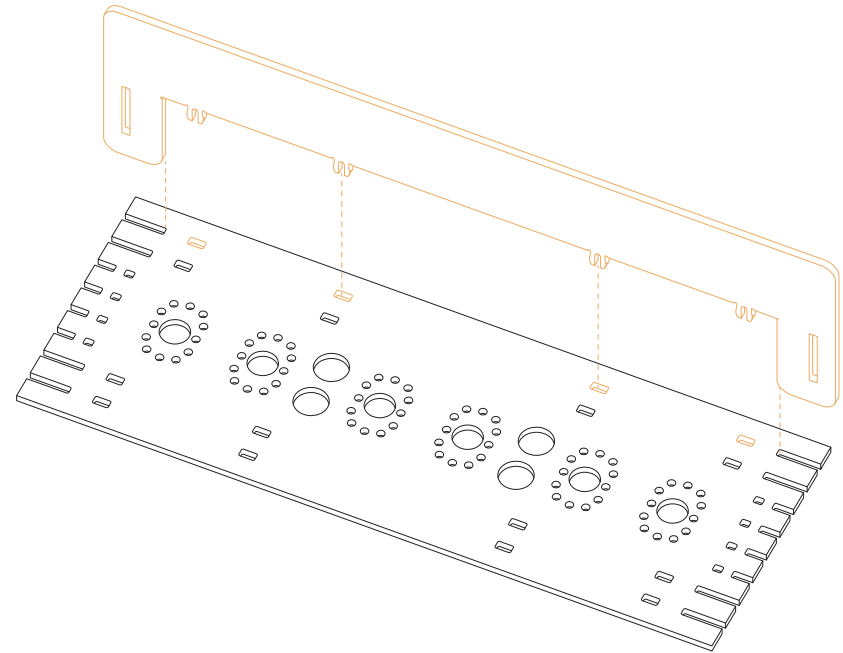
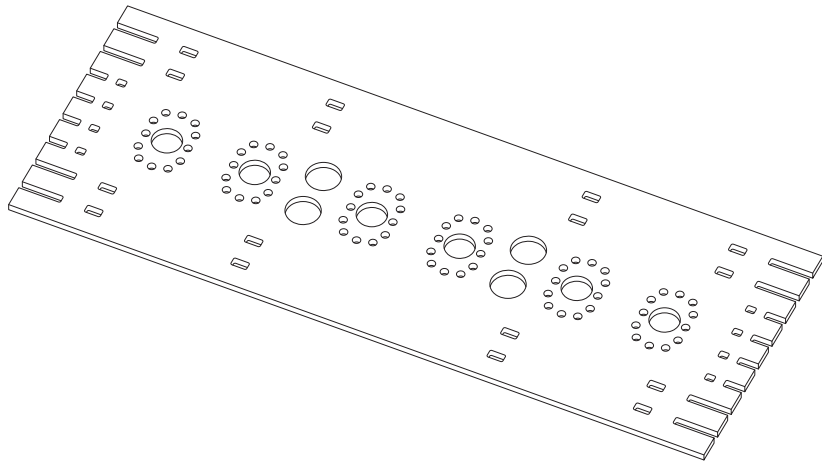


Not intended for repeated assembling.

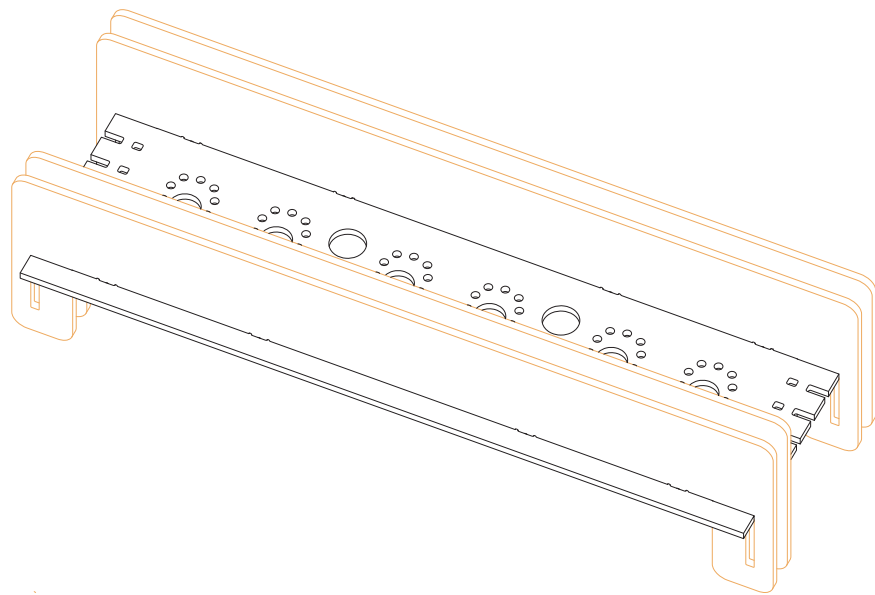
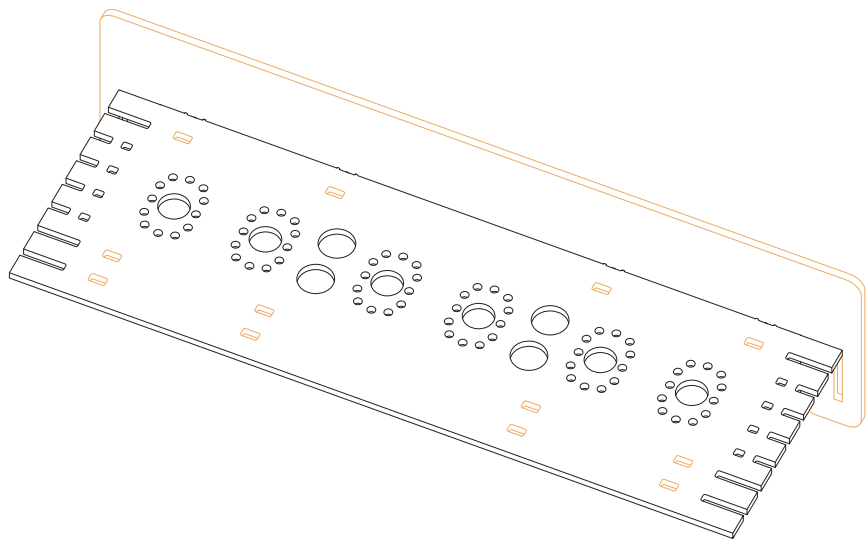


This device is electrostatic sensitive.

The parts were designed to fit together as tightly as possible so that their connection would therefore be as strong as possible. For this reason, more assembly force is required.

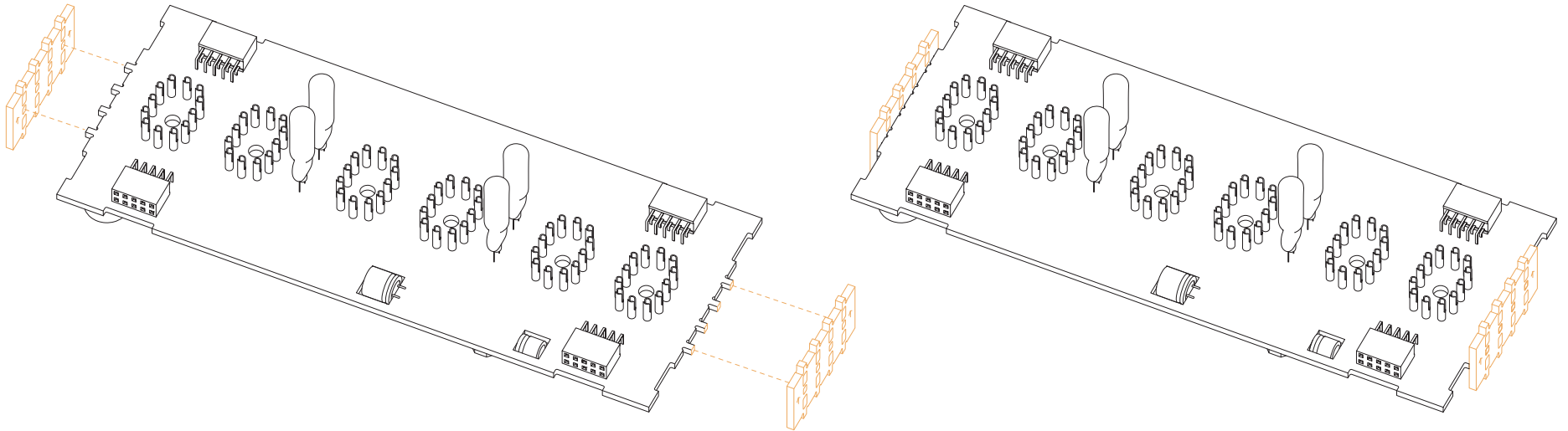


Tip: Rest both parts on a solid surface and push against it.

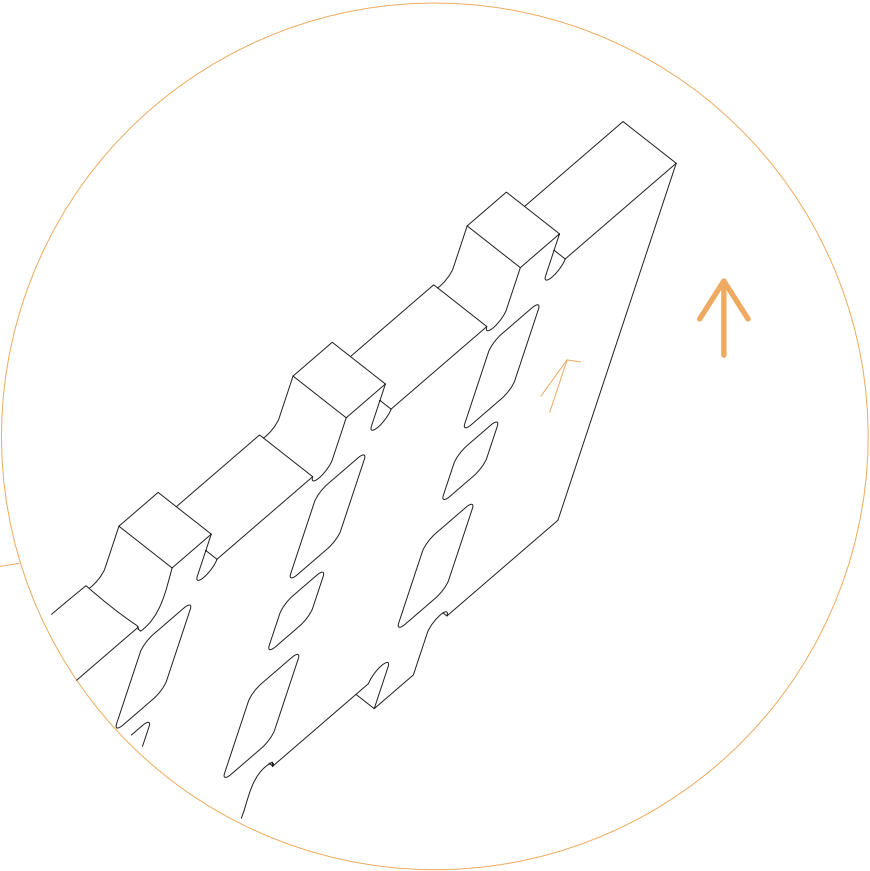
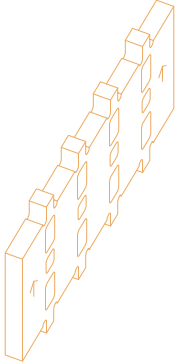


2.

Handle the main electronics with caution.
Assemble in a clean and dry environment. The electronics must not come into contact with water.

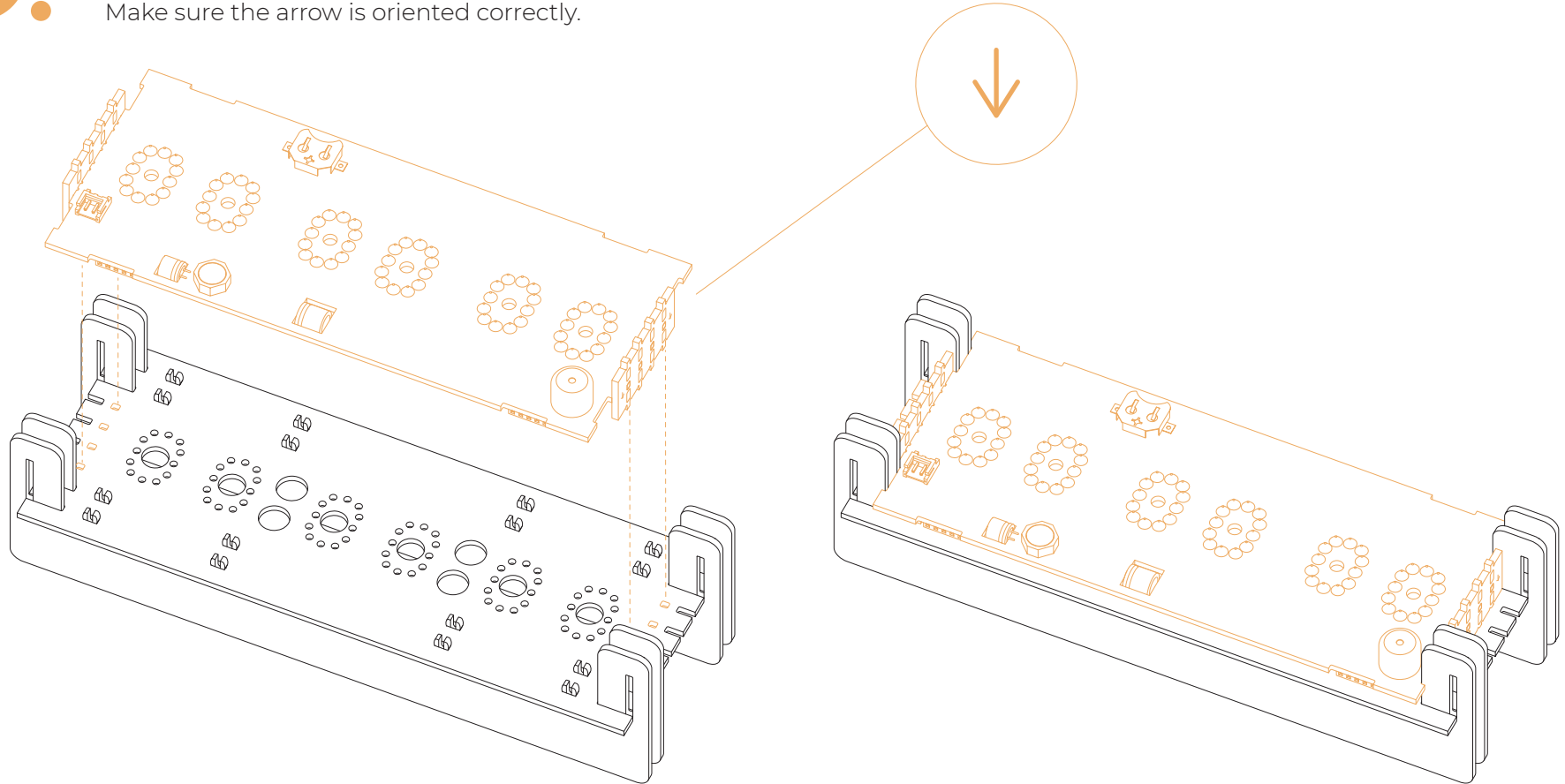


Pay attention to the orientation of the arrow.



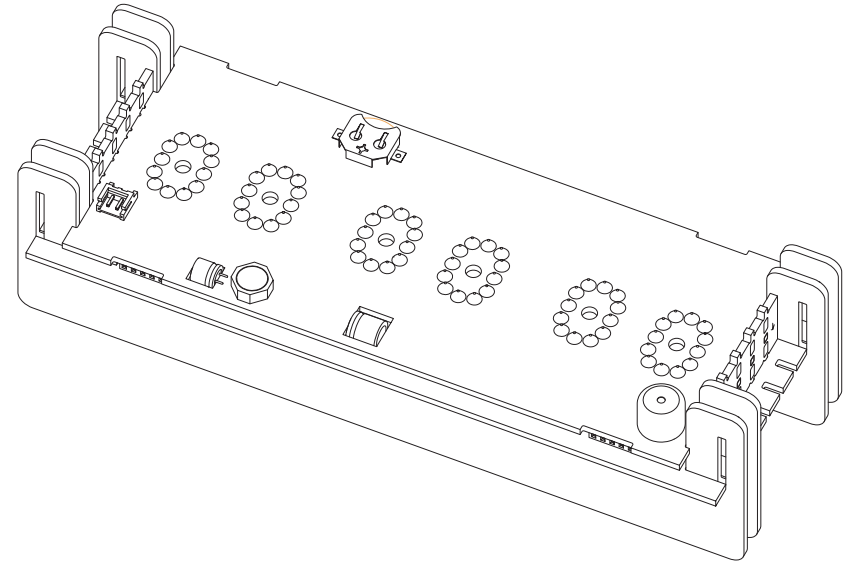
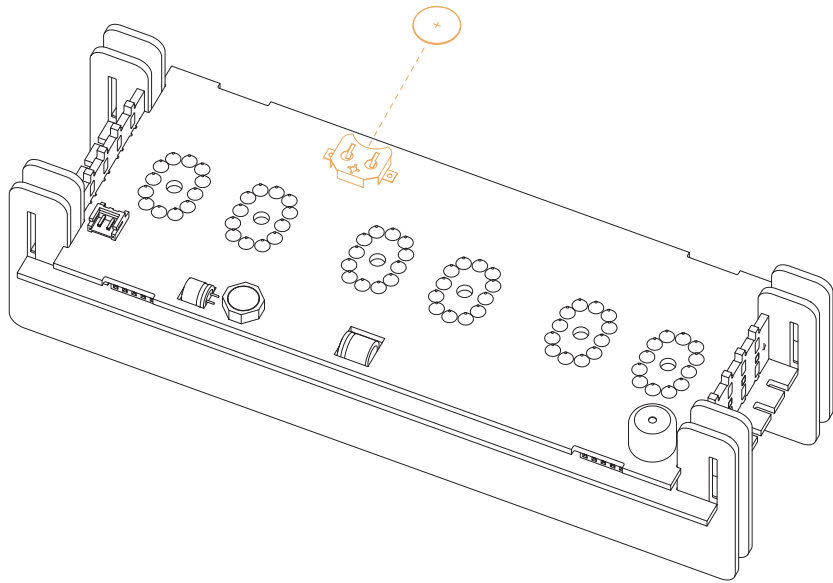
3.

Make sure the arrow is oriented correctly.

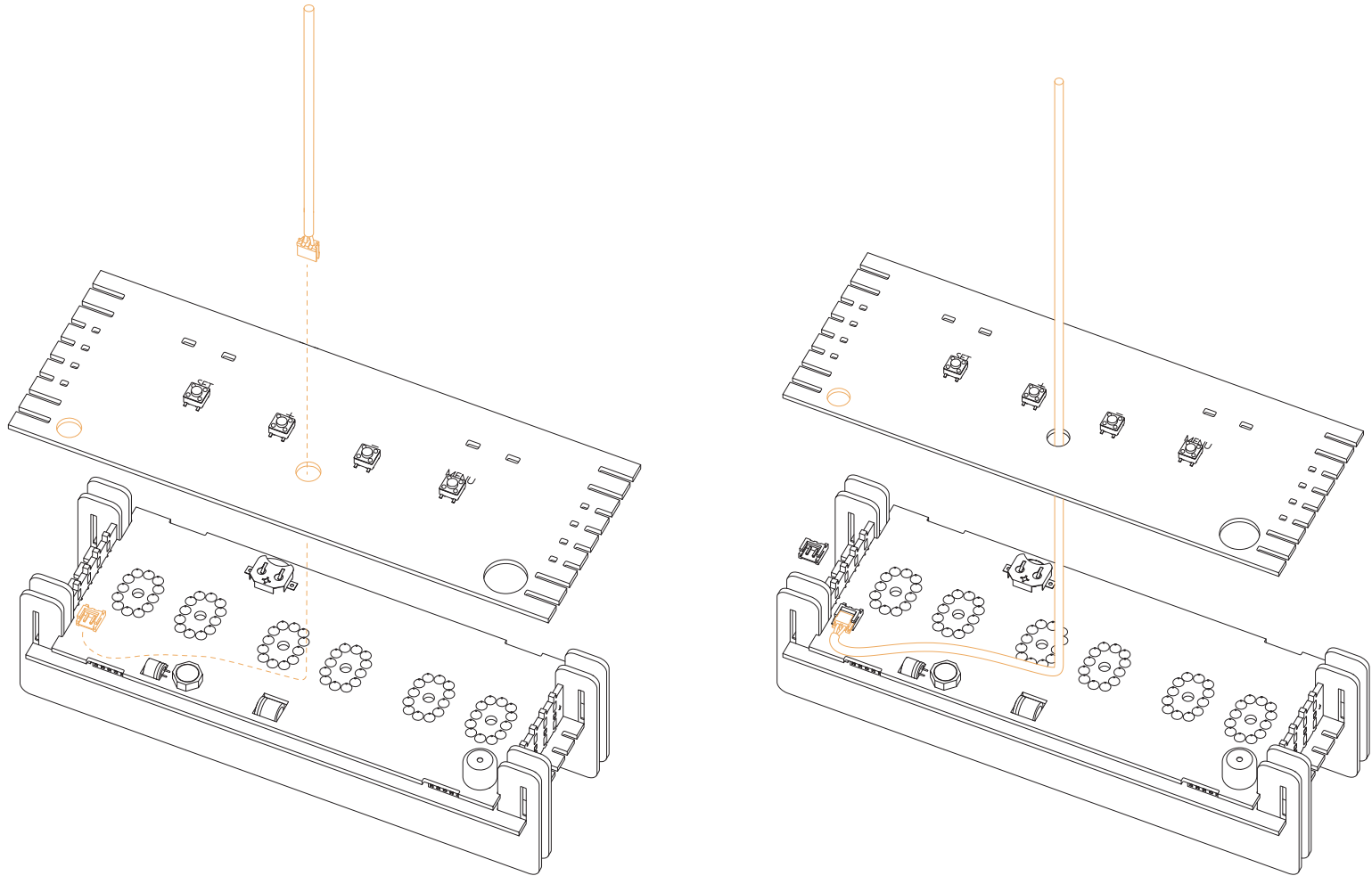


4.

Insert a coin battery.
Battery needs to be replaced once in approximately 5 to 6 years.

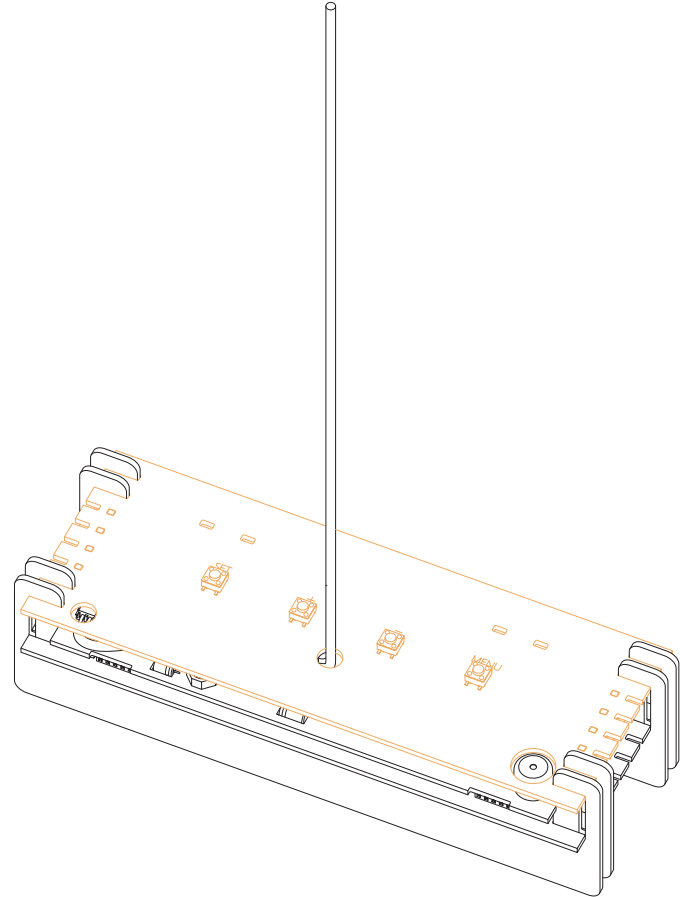
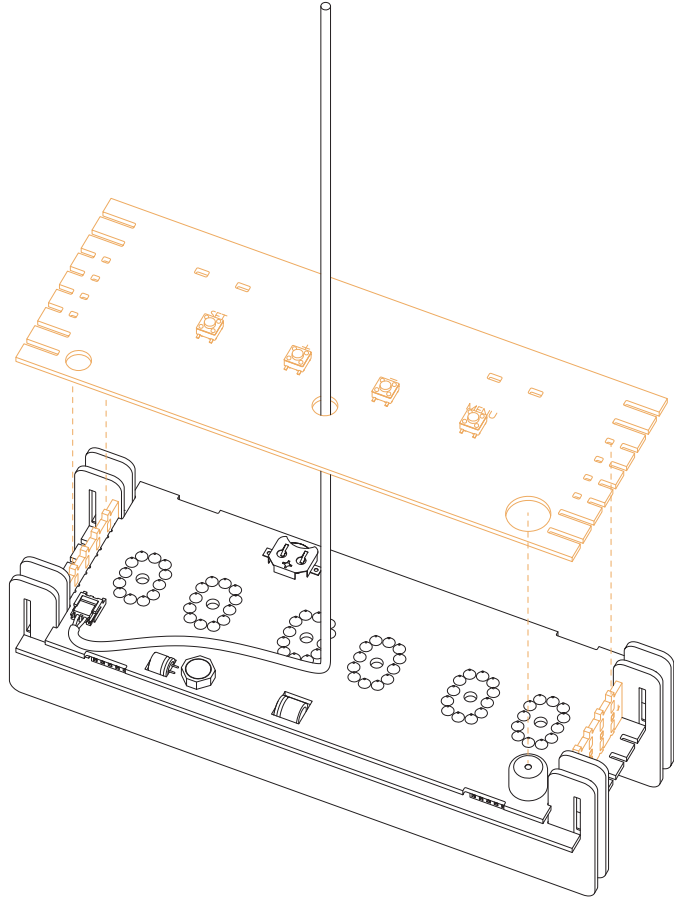


5.

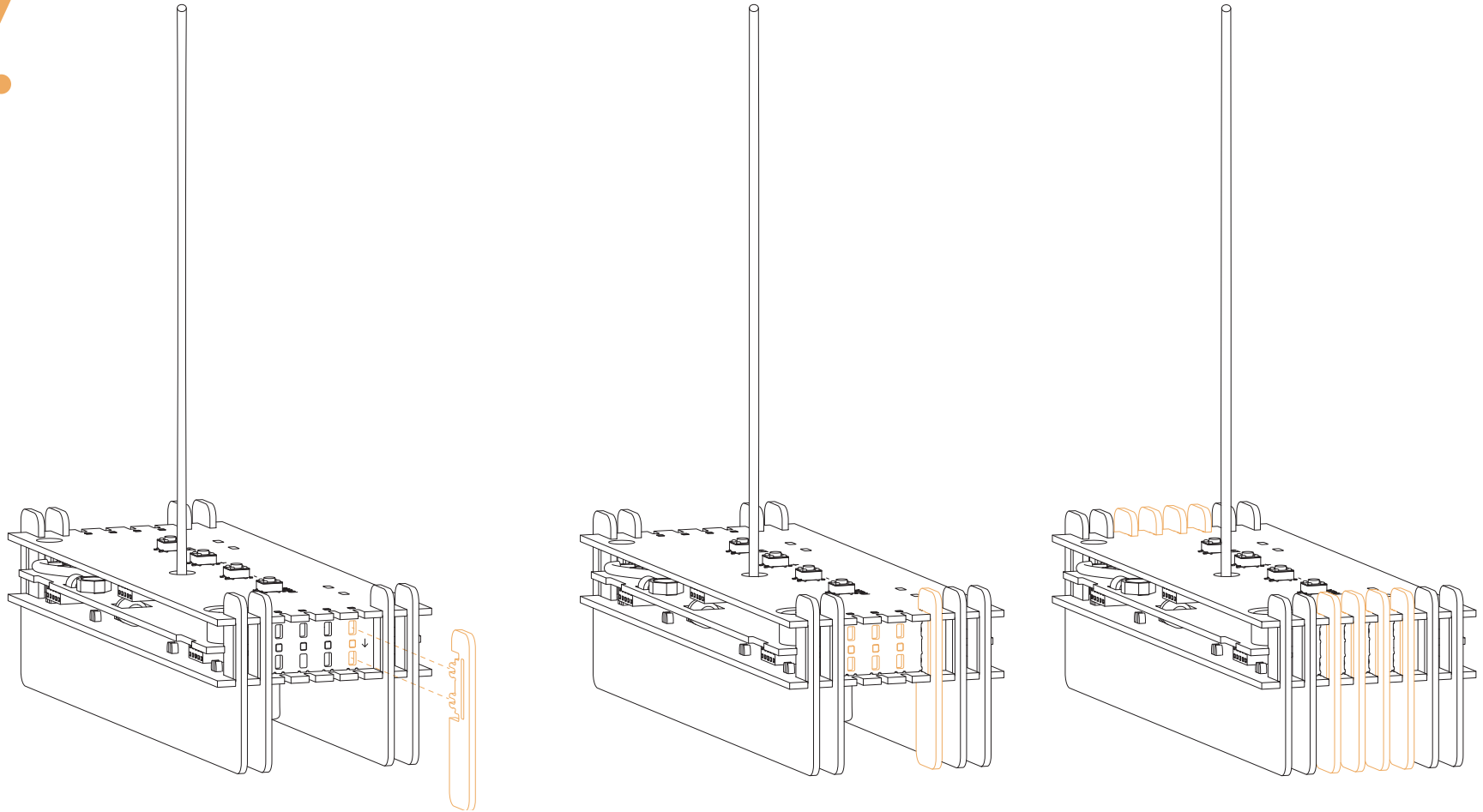


If you prefer, you can pass the cable through the hole on the left (in the picture also highlighted in color).
For safety reasons, the cable connector can only be connected in one direction. If you are unable to connect the connector, just turn it over.

6.

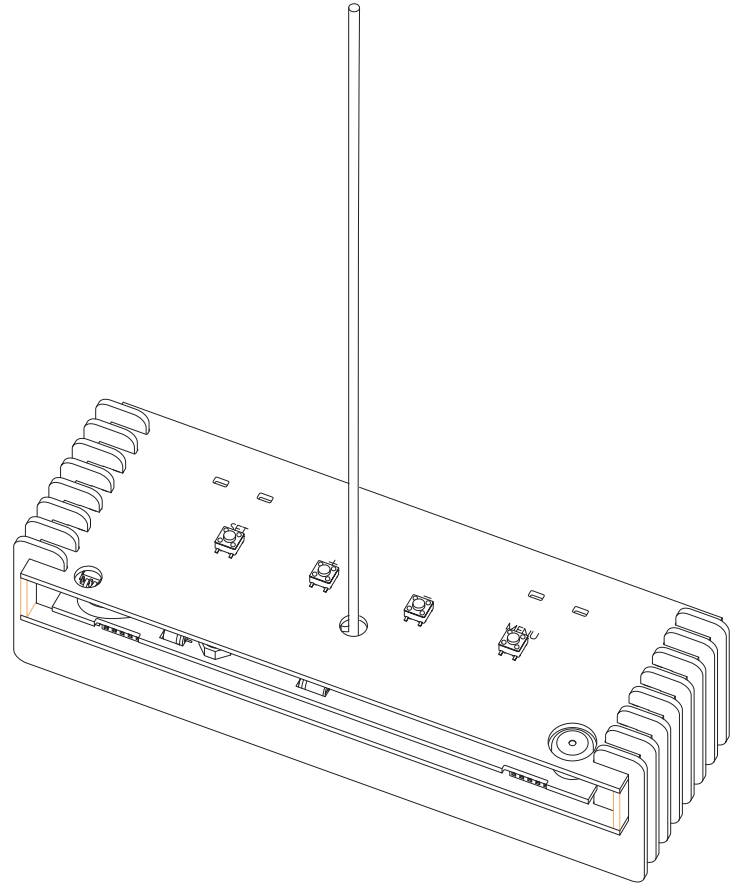
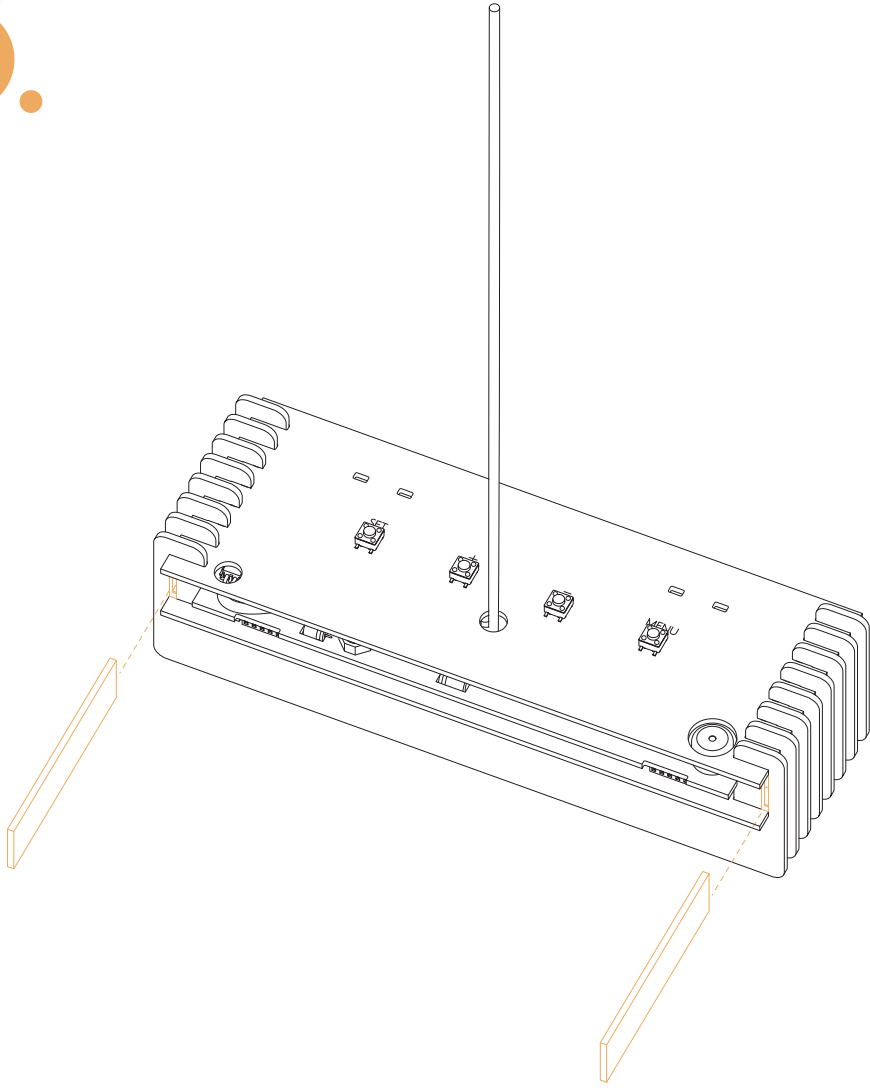


7.



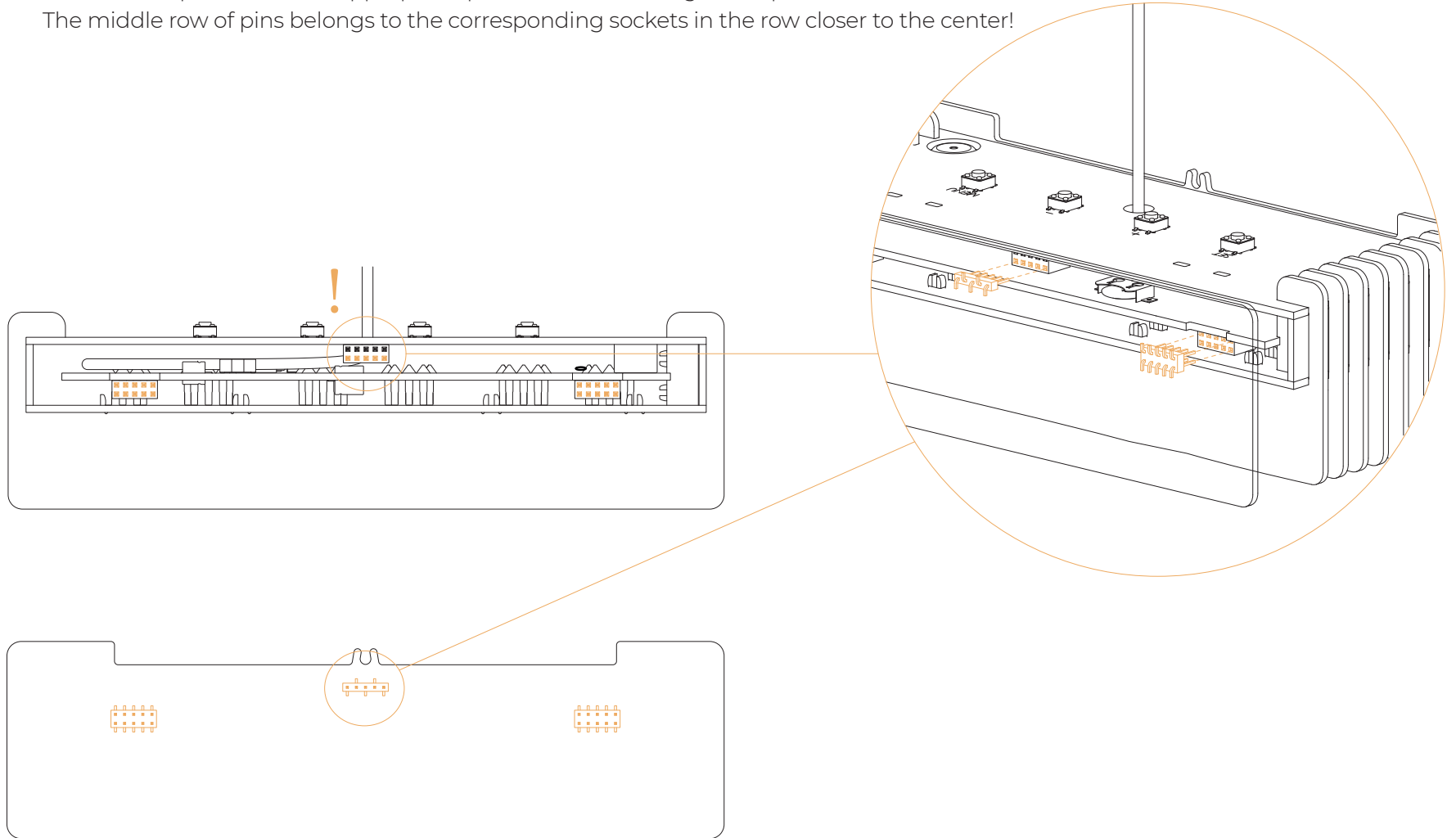
Thanks to the precision of the joints, more assembly force is required to achieve a firm connection. We recommend using a solid surface and pushing against it.

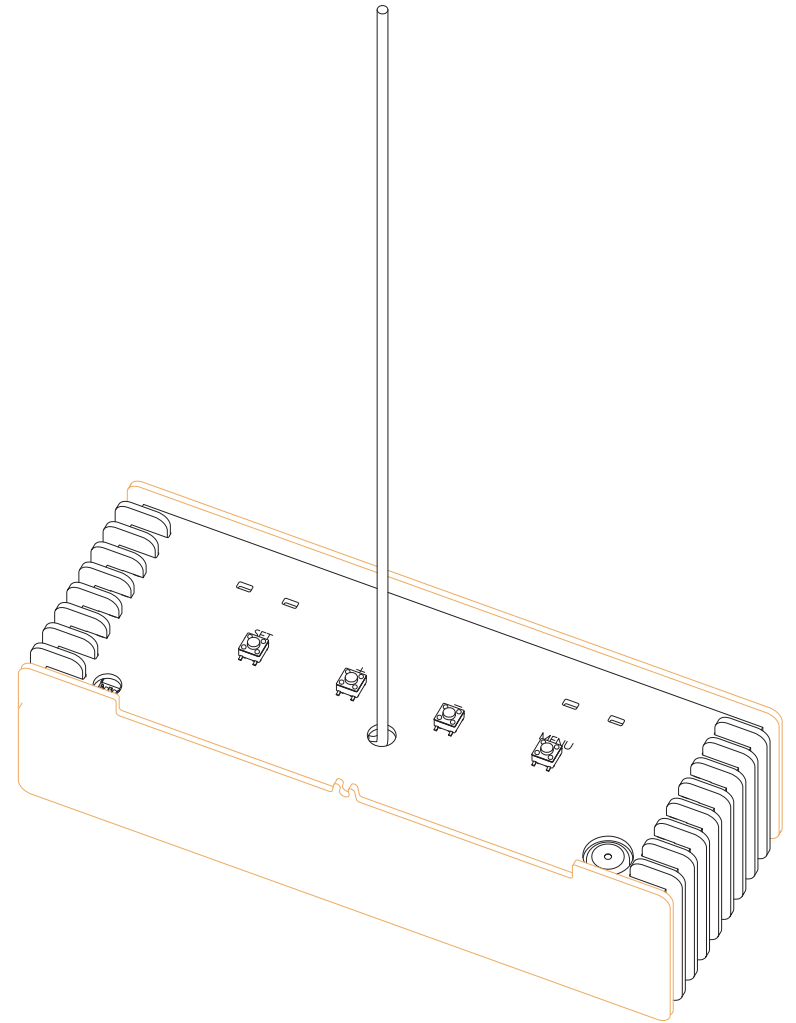
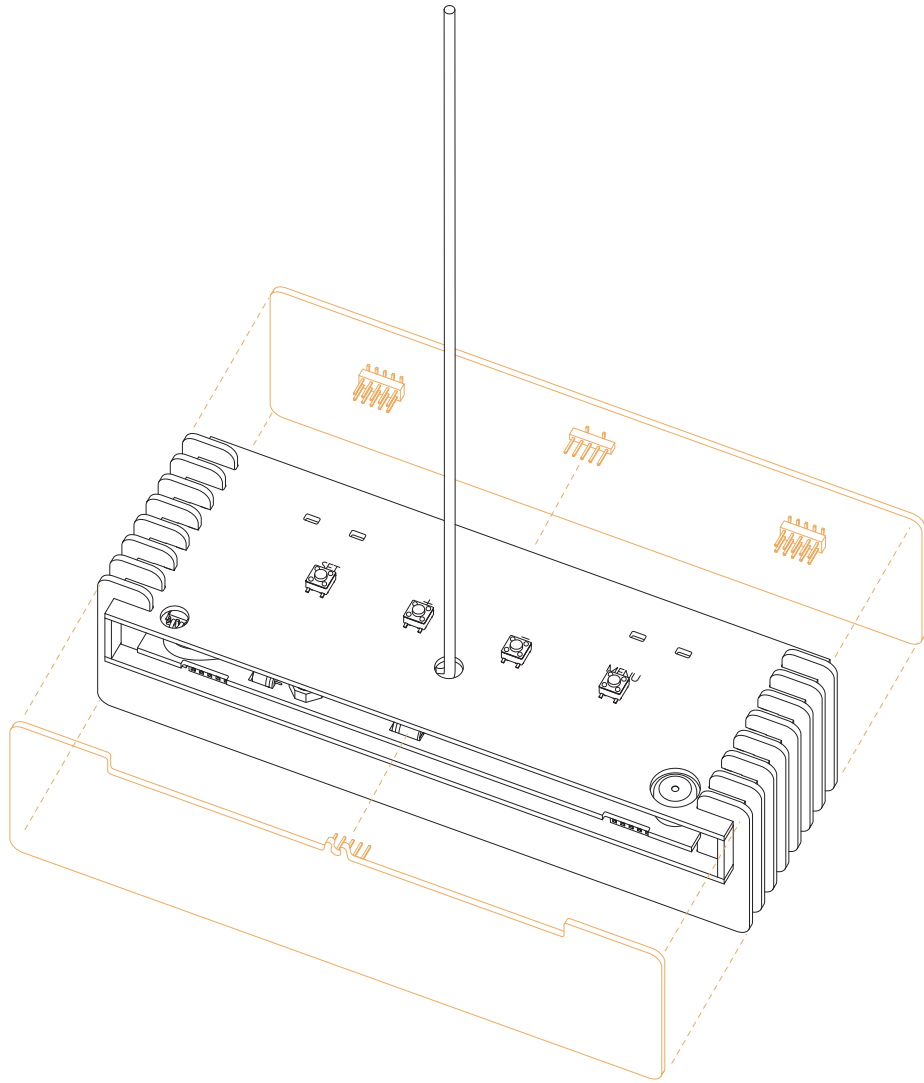
8.



9.

Connect the pin headers to appropriate pin sockets according to the pictures.
The middle row of pins belongs to the corresponding sockets in the row closer to the center!

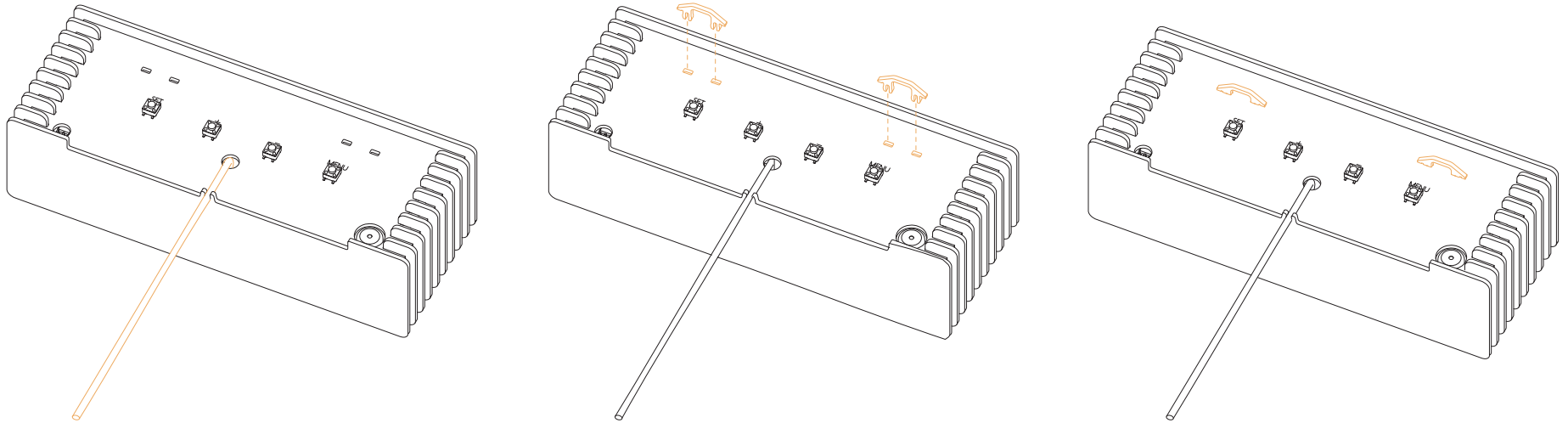




Tip: To verify that the connectors are connected properly, make sure that all the ribs are neatly arranged in a row.

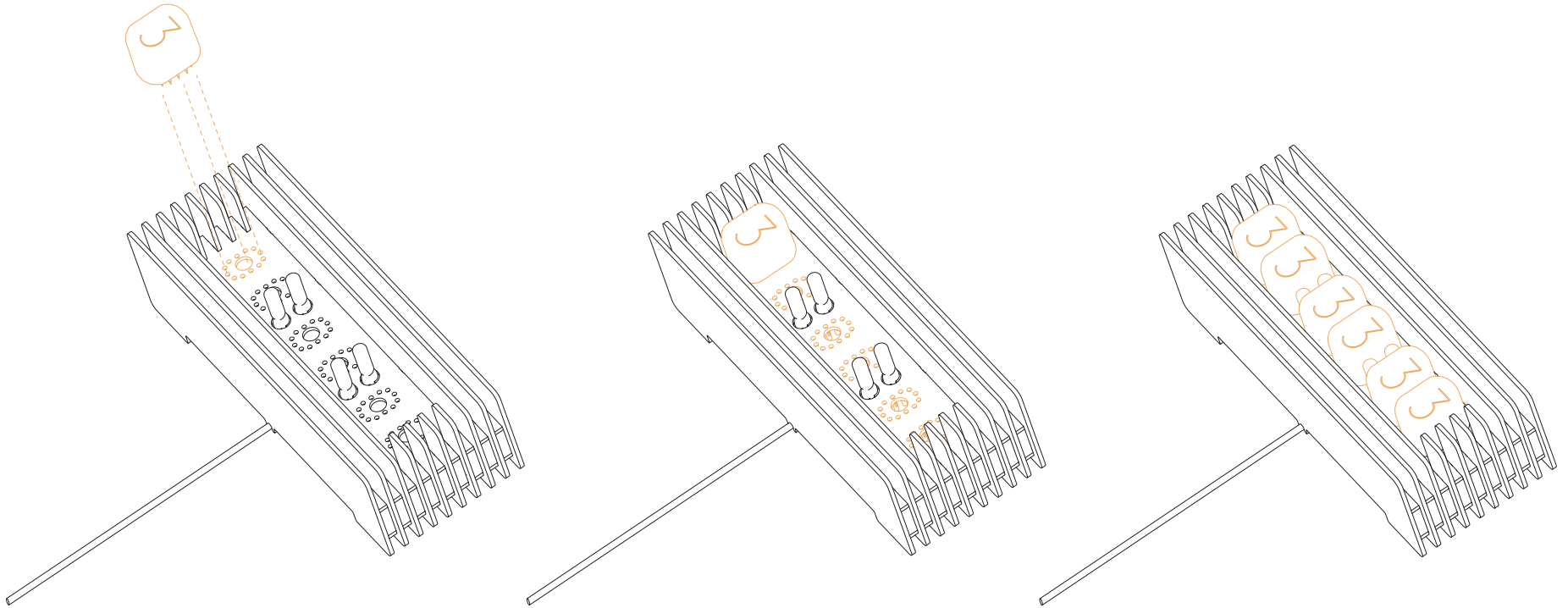
10.

This step is preparing the clock for hanging on a wall.
You can skip this step if you wish to place the clock on a table.

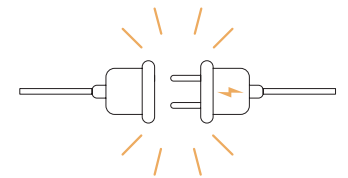
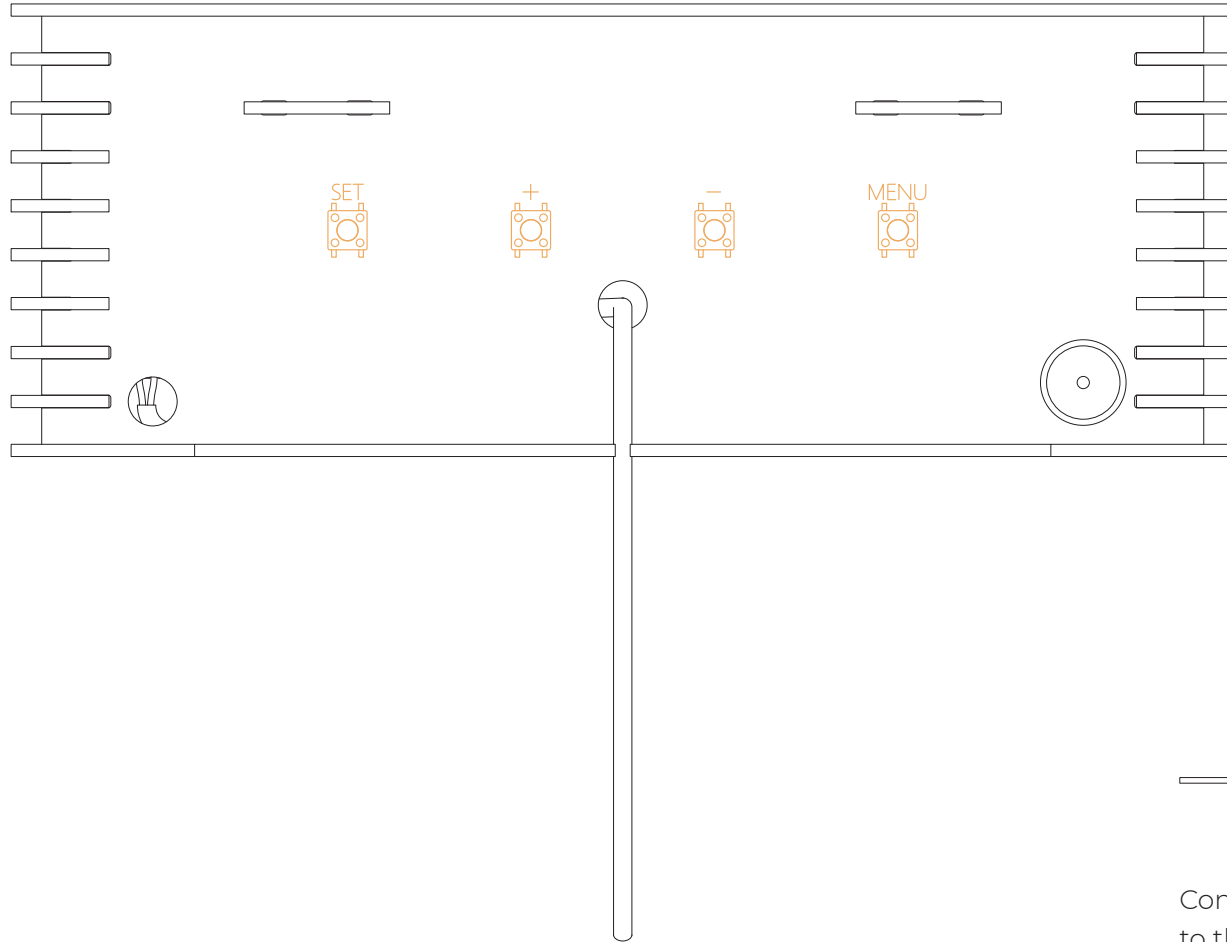




Make sure that the digitrons (display units) are oriented correctly.
Follow the picture below and the number 3 on the digitron.



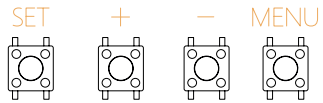
12.



Connect the power cord to the power supply.

1. TIME SETTING

Use the buttons on the back of the clock to set the date and time.

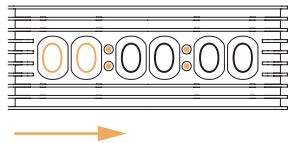


2.

Hold down the **MENU** button. As soon as the first group of digits starts flashing, you can start setting the time.

3.

Use the **+** and **-** buttons to set the correct time in 24-hour format. Set the time in this order: hours - minutes - seconds



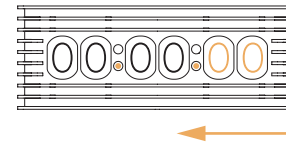
Press the **SET** button to confirm the setting of the first pair of digitrons. Set the following two pairs in the same way.

4.

After successfully setting the time, the colons will change to dots and the right pair of digitrons will start flashing.

5. DATE SETTING

Now set the date the same way as time. It will be displayed in this order: day - month - year



When setting the date, proceed from right to left. This means you will be setting the year first. Confirm the individual pairs again by pressing the **SET** button.

6.

Your Nixie clock is now ready to use.

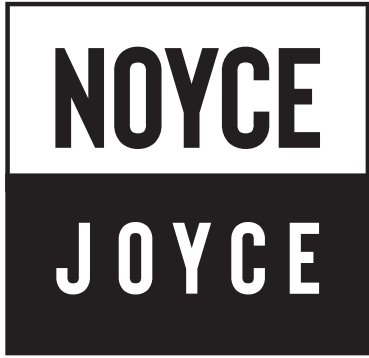
DATE DISPLAY

In the factory setting, the clock displays the date every 10 seconds. To deactivate this function, hold down the **-** button until you hear a beep.

Hold down the **+** button to display the date again until you hear a beep.

TIME FORMAT

To switch between 12 and 24 hour format, hold down the **SET** button until you hear a beep.



www.noycejoyce.com

